



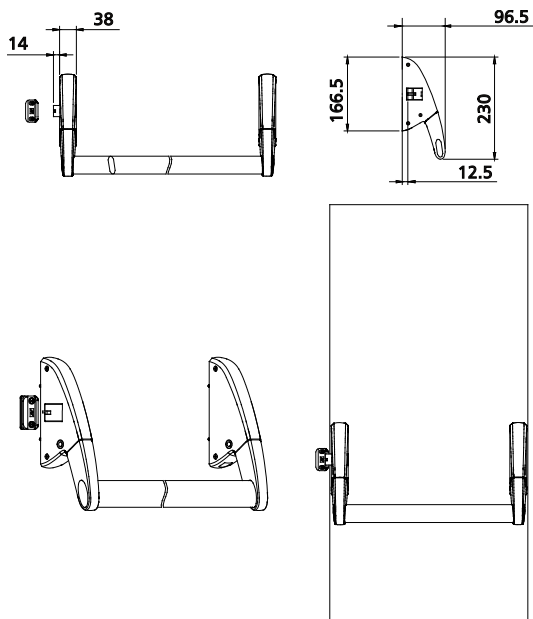
6000.99/120
6001.1/1200

6000.1/1200

code	description	finishes	pcs.
6000.1/1200	(patented) Horizontal non-handed panic bar with 1 locking point in zamak and galvanised steel. Complete with: latch bolt in nickel plated zamak, counter-plates in galvanised steel, 1200 bar and 1 keeper in painted steel, 1 spacer in stainless steel, 8 countersunk head screws Ø 4.2x13 in black galvanised steel, 2 cap screws Ø 4.2x19 in black galvanised steel, 16 countersunk head screws M4x5 in black galvanised steel. For doors with a clear width of 800 to 1240 mm and a max. height of 2450 mm.	3001, 6029, GREY	1
6000.99/120	Like 6000.1/1200 but with supports and bar same finish.	1013, 9005, 9010, GREY, SILV	1
6001.1/1200	Like 6000.1/1200 but with latch bolt in stainless steel and for fire resistant doors.	3001, 6029, 9005, GREY	1

Panic-device system

Bernini



6000.1/1200-6000.99/120-6001.1/1200



6000.98/120
6001.2/1200

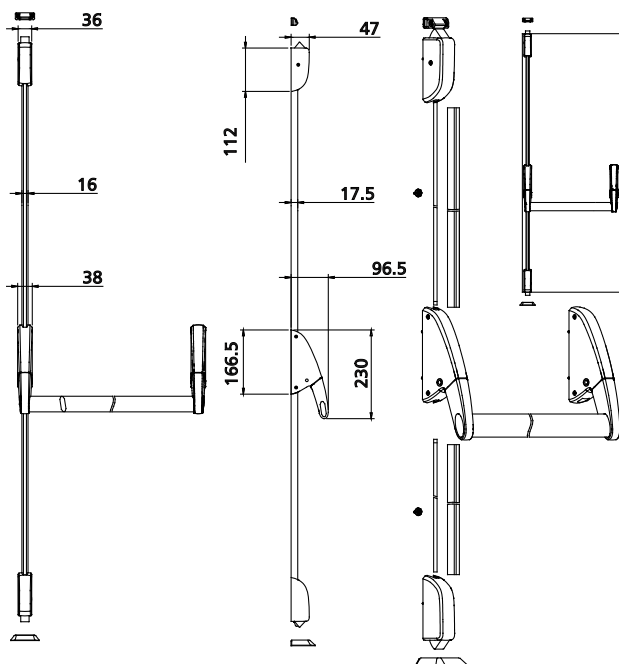


6000.2/1200

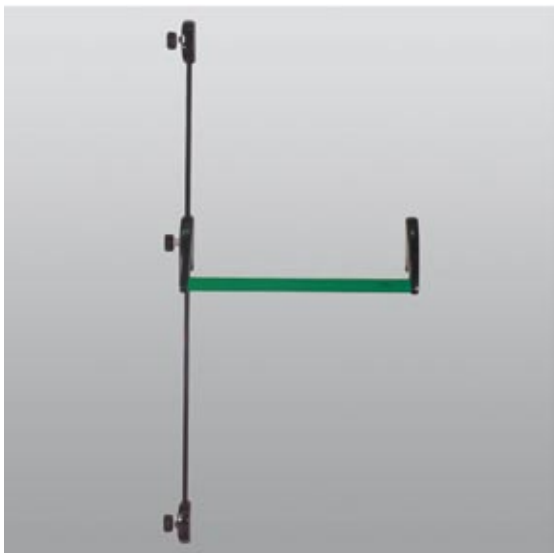
code	description	finishes	pcs.
6000.2/1200	(patented) Vertical rod non-handed panic bar with 2 locking points in zamak and galvanised steel. Complete with: counterplates in galvanised steel, 1200 bar and 1 keeper in painted steel, 1 floor-mounted keeper in stainless steel, 1 black nylon insert, 1 top rod + 1 bottom rod in aluminium, 1 rod cover in painted aluminium 1395 mm, 1 rod cover in painted aluminium 1037 mm, 2 adjustable plugs in black galvanised zamak, 1 spacer in stainless steel, 8 countersunk head screws Ø 4.2x13 in black galvanised steel, 2 cap screws Ø 4.2x19 in black galvanised steel, 4 cap screws Ø 4.2x9.5 in black galvanised steel, 22 countersunk head screws M4x5 in black galvanised steel. For doors with a clear width of 800 to 1240 mm and a max. height of 2450 mm.	3001, 6029, GREY	1
6000.98/120	Like 6000.2/1200 but with supports and bar same finish.	1013, 9005, 9010, GREY, SILV	1
6001.2/1200	Like 6000.2/1200 but for fire resistant doors.	3001, 6029, 9005, GREY	1

Panic-device system

Bernini 349



6000.2/1200-6000.98/120-6001.2/1200



6000.97/120
6001.3/1200

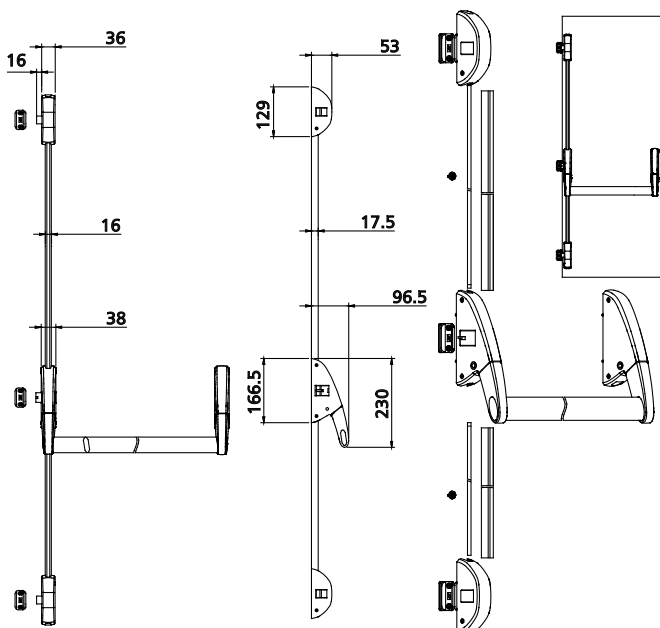
6000.3/1200

code	description	finishes	pcs.
6000.3/1200	(patented) Vertical rod non-handed panic bar with 3 locking points in zamak and galvanized steel. Complete with: latch bolt in nickel plated zamak, counterplates in white galvanized steel, 1200 bar and 3 keepers in painted steel, 1 top rod + 1 bottom rod in aluminium, 1 1395 mm rod cover in painted aluminium, 1 1037 mm rod cover in painted aluminium, 2 adjustable plugs in black galvanized zamak, 3 spacers in stainless steel, 10 countersunk head screws Ø 3.9x13 in white galvanized steel, 8 countersunk head screws Ø 4.2x13 in black galvanized steel, 6 cap screws Ø 4.2x19 in black galvanized steel, 28 countersunk head screws Ø M4x5 in black galvanized steel. For doors with a clear width of 800 to 1240 mm and a max. height of 2450 mm.	3001, 6029, GREY	1
6000.97/120	Like 6000.3/1200 but with supports and bar same finish.	1013, 8019, 9005, 9010, GREY, SILV	1
6001.3/1200	Like 6000.3/1200 but with latch bolt in stainless steel and for fire resistant doors.	3001, 6029, GREY	1

Panic-device system

350

Bernini



6000.3/1200-6000.97/120-6001.3/1200

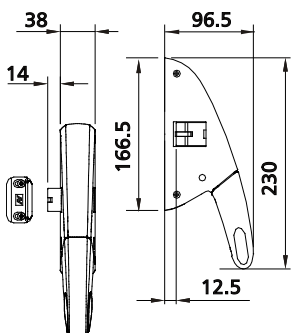


6000.701-6000.711

code	description	finishes	pcs.
6000.701	(patented) Kit with horizontal non-handed supports, one locking point in painted zamak and galvanised steel. Complete with: latch bolt in nickel plated zamak, counterplates in galvanised steel, 1 keeper in painted steel and 1 spacer in stainless steel, right and left nylon bar caps, 8 countersunk head screws Ø 4.2x13 in galvanised steel, 2 cap screws Ø 4.2x19 in galvanised steel, 16 countersunk head screws M4x5 in black galvanised steel (for finishes 9006/9010: 8 countersunk head screws M4x5 in galvanised steel + 8 countersunk head screws M4x6 in stainless steel).	9005, 9010, GREY, SILV	1
6000.711	(patented) Kit with horizontal non-handed supports, 1 locking point for fire resistant doors, in painted zamak and galvanised steel. Complete with: latch bolt in stainless steel, counterplates in galvanised steel, right and left nylon bar caps, 8 countersunk head screws Ø 4.2x13 and 16 countersunk head screws M4x5 in galvanised steel (for finishes 9010/GREY: 8 countersunk head screws M4x5 in black galvanised steel + 8 countersunk head screws M4x6 in stainless steel).	9005, 9010, GREY, SILV	1

Panic-device system

Bernini



6000.701-6000.711



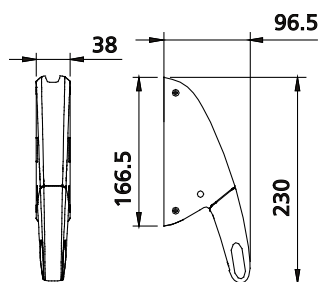
6000.702-6000.712

code	description	finishes	pcs.
6000.702	(patented) Kit with non-handed vertical supports, two locking points in painted zamak and galvanised steel. Complete with: galvanised steel counterplates, right and left nylon bar caps, 8 countersunk head screws Ø 4.2x13 in galvanised steel, 16 countersunk head screws M4x5 in galvanised steel (for finishes 9006/9010: 8 countersunk head screws M4x5 in galvanised steel + 8 countersunk head screws M4x6 in stainless steel).	9005, 9010, GREY, SILV	1
6000.712	(patented) Kit with non-handed vertical supports, two locking points for fire resistant doors, in painted zamak and galvanised steel. Complete with: galvanised steel counterplates, right and left nylon bar caps, 8 countersunk head screws Ø 4.2x13 in galvanised steel, 16 countersunk head screws M4x5 in galvanised steel (for finishes 9010/GREY: 8 countersunk head screws M4x5 in galvanised steel + 8 countersunk head screws M4x6 in stainless steel).	9005, 9010, GREY	1

Panic-device system

352

Bernini



6000.702-6000.712



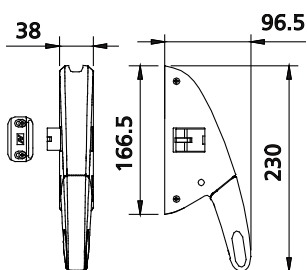
6000.703-6000.713

code	description	finishes	pcs.
6000.703	(patented) Kit with non-handed supports, three locking points in painted zamak and galvanised steel. Complete with: latch bolt in nickel plated zamak, counterplates in galvanised steel, 1 keeper in painted steel and 1 spacer in stainless steel, right and left nylon bar caps, 8 countersunk head screws Ø 4.2x13 in galvanised steel, 2 cap screws Ø 4.2x19 in galvanised steel, 16 countersunk head screws M4x5 in black galvanised steel (for finishes 9006/9010: 8 countersunk head screws M4x5 in galvanised steel + 8 countersunk head screws M4x6 in stainless steel).	9005, 9010, GREY, SILV	1
6000.713	(patented) Kit with horizontal non-handed supports, three locking points for fire resistant doors, in painted zamak and galvanised steel. Complete with: latch bolt in stainless steel, counterplates in galvanised steel, right and left nylon bar caps, 8 countersunk head screws Ø 4.2x13 and 16 countersunk head screws M4x5 in galvanised steel (for finishes 9010/GREY: 8 countersunk head screws M4x5 in black galvanised steel + 8 countersunk head screws M4x6 in stainless steel).	9005, 9010, GREY, SILV	1

Panic-device system

Bernini

353



6000.703-6000.713